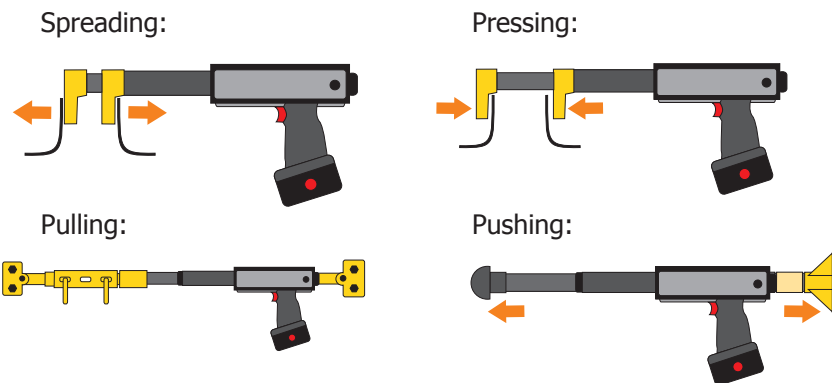


The only existing pushing and pulling system electric battery 14.4V operated.

- Pulling power: 5 Ton.
- Pushing power: 5 Ton.
- Piston stroke: 130 mm



PATENTED



Applications:

