

The ERGO Door Lift is a manoeuvrable trolley to enable a single individual to safely remove or install a door from a car or light commercial vehicle. Designed to help improve day-to-day workshop conditions, it saves time and reduces the effort required to handle heavy doors weighing up to 50 kg.

Adjustable retaining bar with **2 quick-release latches** to adapt precisely to the profile of the door (max. 30.5 cm).

Hand-cranked winch for accurate door alignment on the hinges.

Handle for manoeuvring the unit around the workshop.

Tool holder (spanners, screwdrivers, etc.)

2 castors with brakes to keep the unit in position as close to the vehicle as possible.



Built-in storage device for retaining bar.

Compatible with door heights of up to 206 cm.

Rubber support to keep the door securely in place and prevent damage to the paintwork.

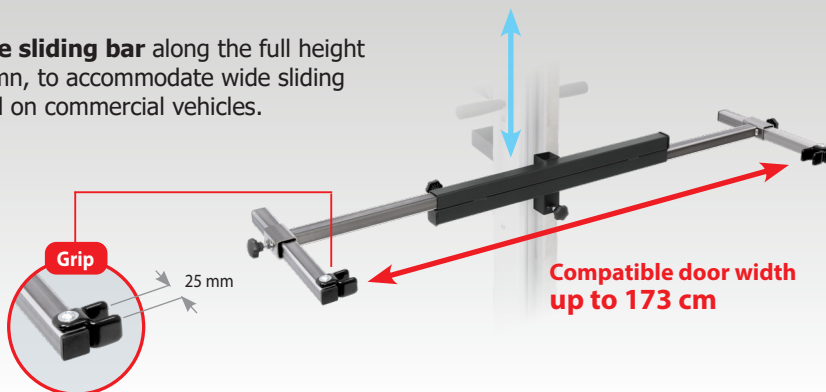
Easy to manoeuvre with 4 castor wheels.



MADE IN FRANCE

WIDE DOOR OPTION (082700)

Extendable sliding bar along the full height of the column, to accommodate wide sliding doors found on commercial vehicles.



Compatible door width up to 173 cm

